

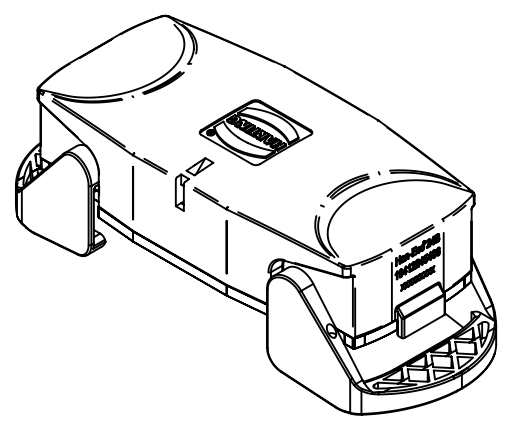
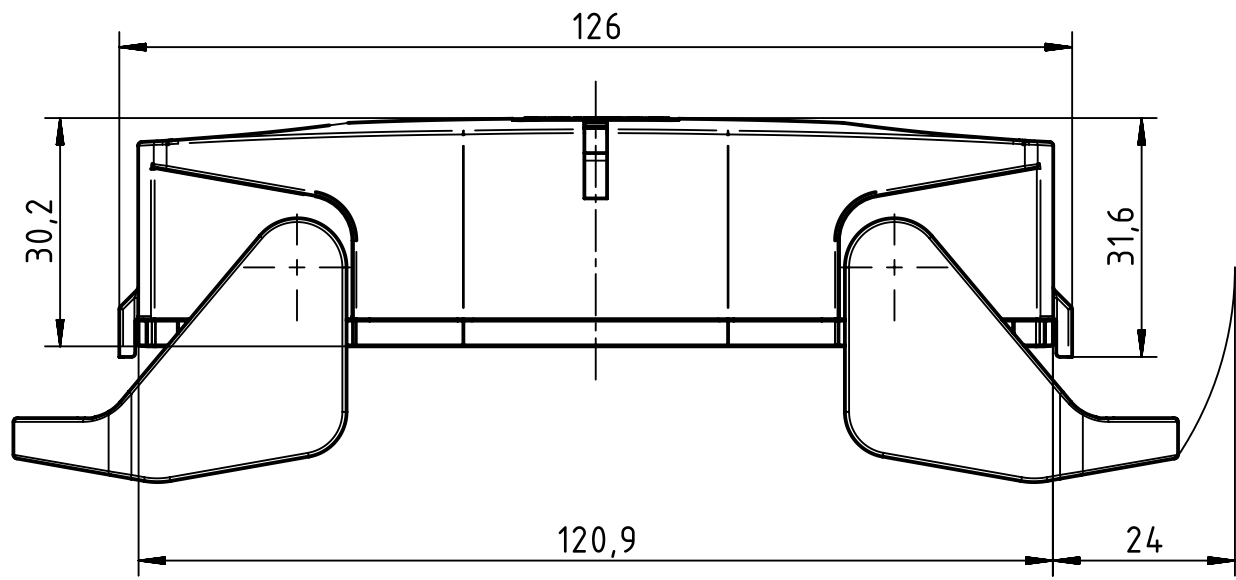
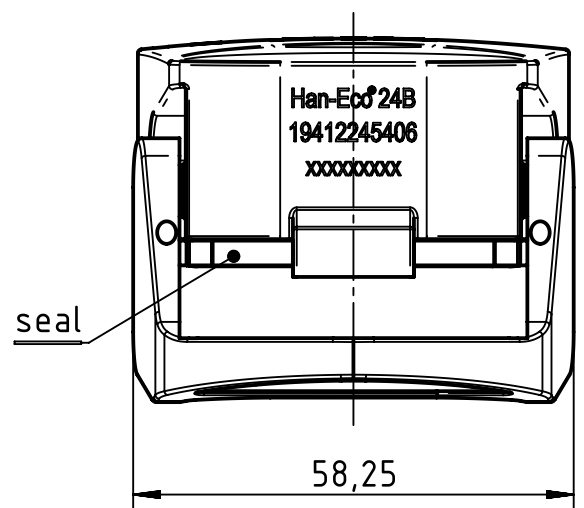
1 2 3 4 5 6


A

B

C

D



	All rights reserved Department EL PD - DE	All Dimensions in mm Original Size DIN A4		Scale 1:1	Free size tol.	Ref.	
		Created by GRUBES	Inspected by HERBRECHTSME	Standardisation TIEMANNA	Date 2014-05-15	State Final Release	
HARTING Electric GmbH & Co. KG D-32339 Espelkamp		Title Han-Eco 24B-C-QB-outdoor				Doc-Key / ECM-Nr. 100515853/UGD/002/B 500000074673	
		Type TB	Number 19 41 224 5406			Rev. B	Page 1/1