

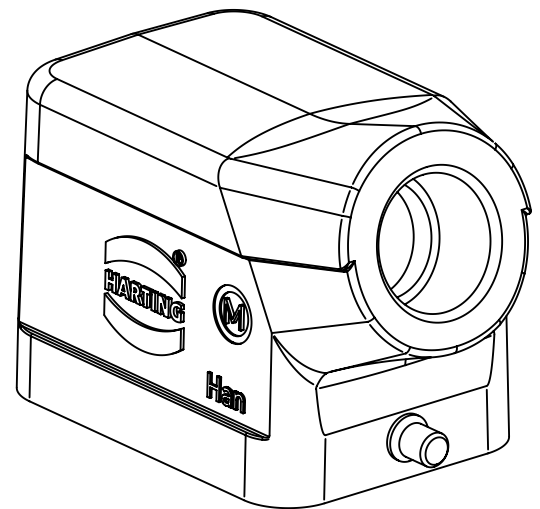
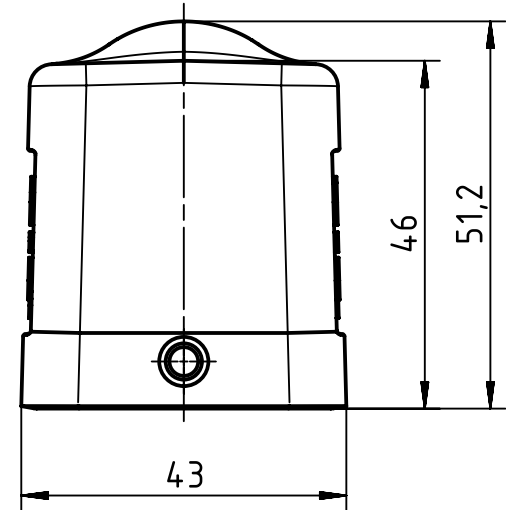
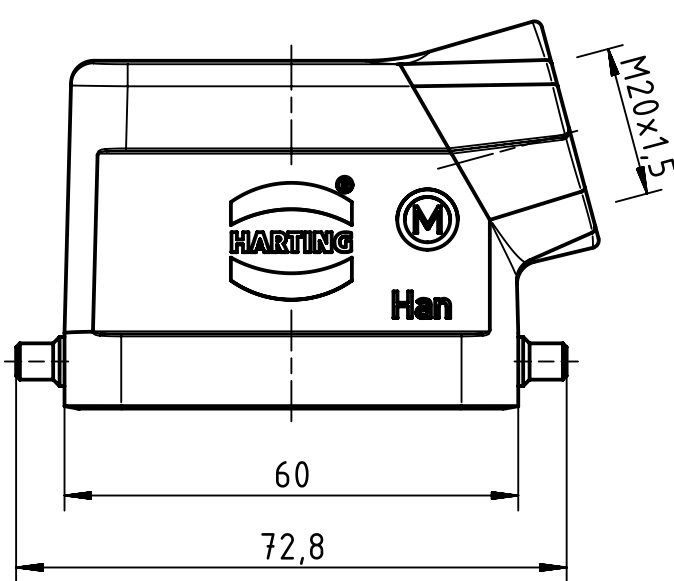
1 2 3 4 5 6

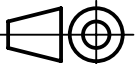

A

B

C

D



	All Dimensions in mm Original Size DIN A4		Scale	Free size tol.		Ref.	
			1:1			Sub.	
	All rights reserved Department EL PD - DE		Created by	Inspected by	Standardisation	Date	State
	HARTING Electric GmbH & Co. KG D-32339 Espelkamp		SCHULZI	MOOR	TIEMANNA	2014-10-29	Final Release
Title Han 6EMC/B-HSE-M20 (HT)						Doc-Key / ECM-Nr. 100178828/UGD/004/B 500000081229	
			Type	Number		Rev.	Page
			TB	19 62 806 1540		B	1/1