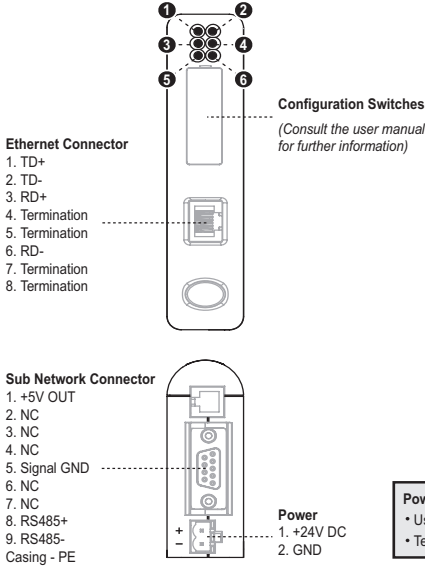


Anybus Communicator for Modbus/TCP to USS

External View



Power Wiring Considerations:

- Use 60/75 or 75°C copper(CU) wire only
- Terminal tightening torque must be 5... 7 lbs-in (0.5-0.8 Nm)

Status LEDs

	LED (number)	Indication	Meaning
Modbus/TCP	Communication Status (1)	Off Green Green, flashing (1Hz) Red, flashing (1Hz) Red, flashing (2Hz) Red, flashing (4Hz)	Not initialized (or no power) Initialized, normal operation The IP address not set by on-board switches Internal error; please contact your supplier Failed to load network configuration (ethcfg.cfg) Internal error; please contact your supplier
	MB TCP Conn. (2)	-	Indicates the number of Modbus/TCP connections (each connection is represented as a single green flash)
	Link (3)	Off Green	No link Connection to ethernet detected
	Activity (4)	Green, flashing	Receiving or transmitting ethernet packet
Sub Network	USS Status (5)	Off Red Green	USS Communication idle USS Communication timeout USS Communication detected (Receiving only)
	Gateway Status (6)	Off Flashing Red 1Hz Flashing Red 2Hz Flashing Red 4Hz Red Flashing Green 1Hz Flashing Green 2Hz Green	Power off No configuration present Configuration error Initialization error of Anybus module Stopped Autoscan in progress Initialization in progress Operational

Installation

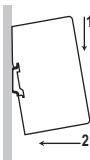
Accessories Checklist

- Anybus-Communicator for Modbus/TCP to USS
- Power Connector
- Configuration Cable
- Sub-network connector
- Ethernet cable and connector (not included)

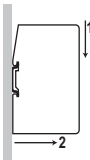
Hardware Installation

Perform the following steps when installing the ABC:

1. Snap the ABC on to the DIN-rail (See 1-2 “DIN-rail Connector”).



To snap the ABC *on*, first press the it downwards (1) to compress the spring in the DIN-rail mechanism, then push it against the DIN-rail as to make it snap on (2)



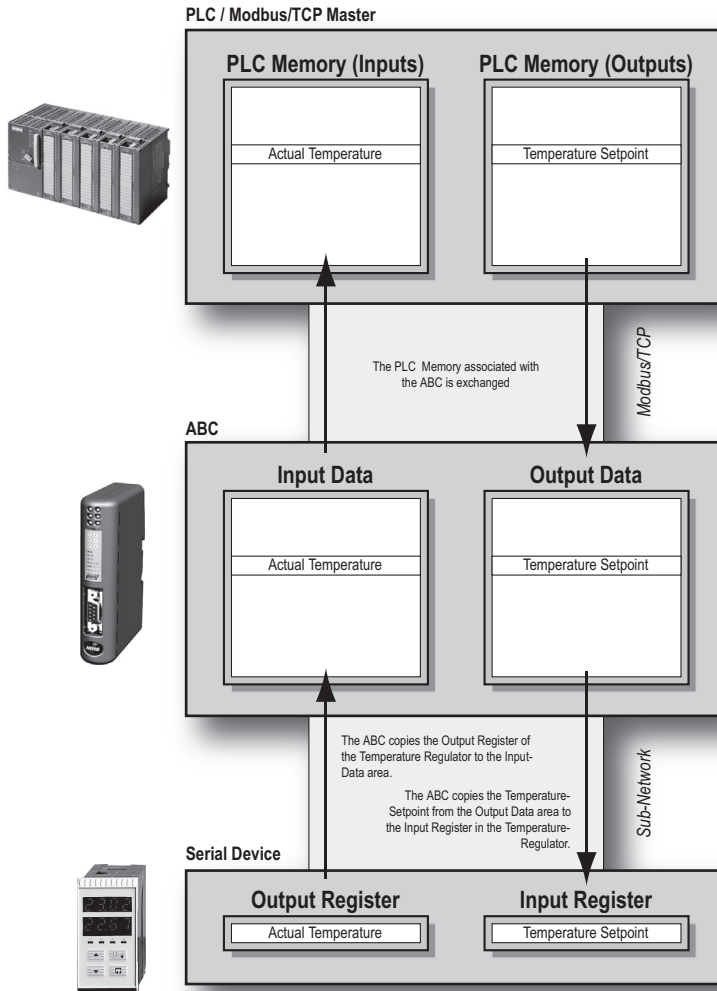
To snap the ABC *off*, push the it downwards (1) and pull it out from the DIN-rail (2), as to make it snap off from the DIN-rail.

2. Connect the ABC to ethernet (Modbus/TCP)
3. Connect the ABC to the serial sub-network
4. Connect the power cable and apply power
5. Configure and start up the Modbus/TCP and sub-network communication

Functional Overview

The ABC enables a Modbus/TCP master to access devices and data on a serial sub-network. In addition to this, the ABC features built in FTP, Web, Telnet and Email capabilities.

For in-depth information about this product, please consult the Anybus-Communicator for Modbus/TCP User Manual.



Technical Specification

Dimensions

120mm x 75mm x 27 mm (L x W x H)
4.724" x 2.953" x 1.063" (L x W x H)

Power Supply

24V \pm 10%

Power Consumption

Max. 280mA
Typ. 100mA

Protective Earth

Internal connection to PE via DIN rail

Relative Humidity

5 to 95% non-condensing

Temperature (Operating)

$\pm 0^{\circ}\text{C}$ to $+55^{\circ}\text{C}$
 $+32^{\circ}\text{F}$ to $+131^{\circ}\text{F}$

Temperature (Storage)

-25°C to $+85^{\circ}\text{C}$
 -13°F to $+185^{\circ}\text{F}$

UL Compliance

Documented by UL in file E214107

EMC Compliance (CE)

This product is in accordance with the EMC directive 89/336/EEC, with amendments 92/31/EEC and 93/68/EEC.

Support

HMS Sweden

Email: support@hms-networks.com
Phone: +46 (0)35-17 29 20
Fax: +46 (0)35-17 29 09
Online: www.anybus.com

HMS America

Email: us-support@hms-networks.com
Phone: +1 773 404 2271
Fax: +1 773 404 1797
Online: www.anybus.com

HMS Germany

Email: ge-support@hms-networks.com
Phone: +49 721 964 7218
Fax: +49 721 964 7210
Online: www.hms-networks.de

HMS Japan

Email: jp-support@hms-networks.com
Phone: +81 45 478 5340
Fax: +81 45 476 0315
Online: www.anybus.com

Communicator Downloads

Documentation, software etc. can be downloaded from the HMS website, www.anybus.com